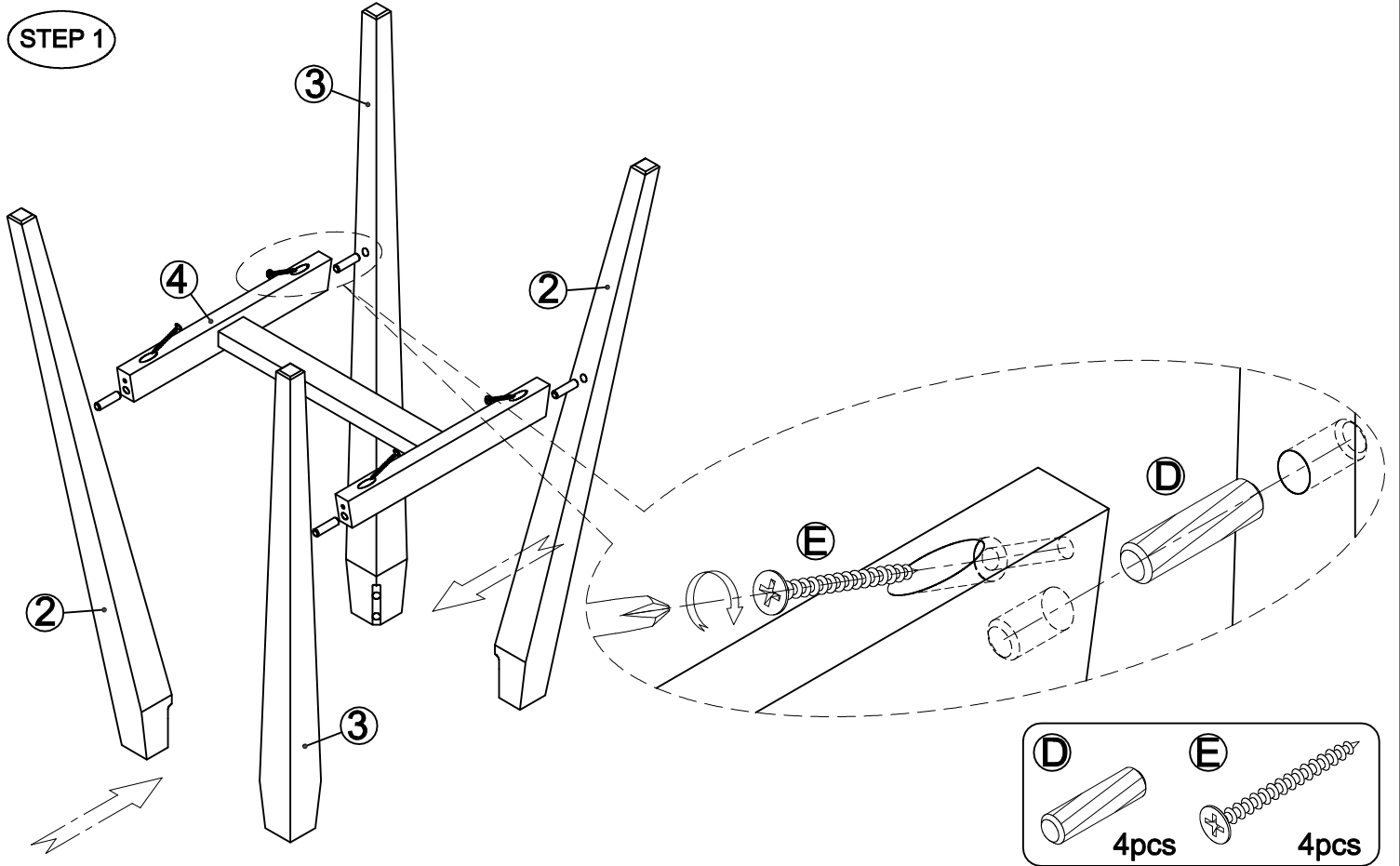




# ASSEMBLY INSTRUCTIONS

STEP 1



STEP 2

