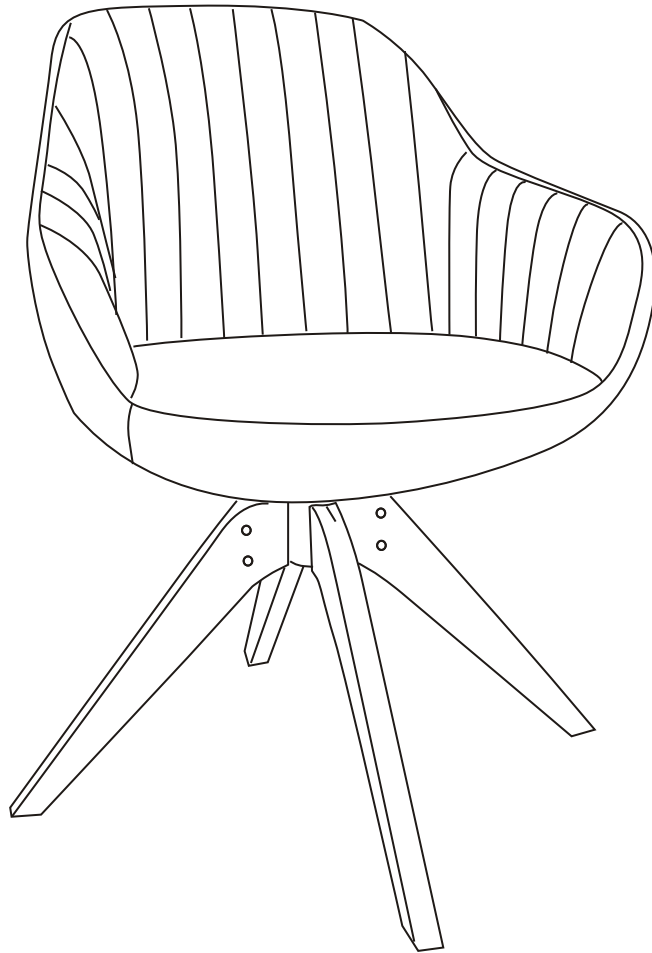
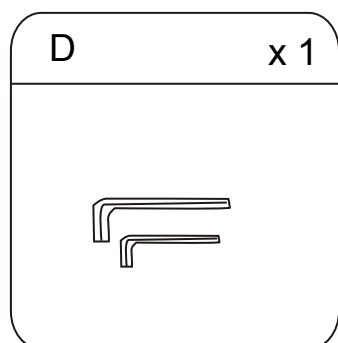
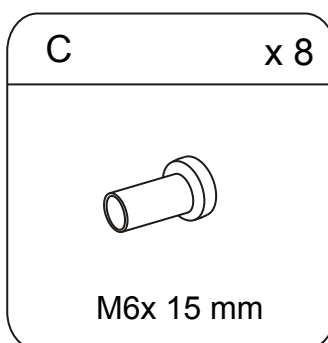
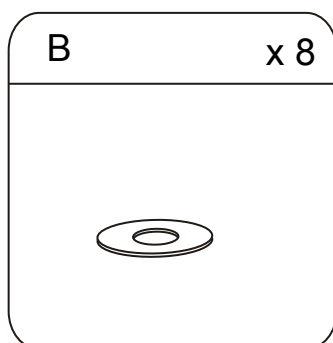
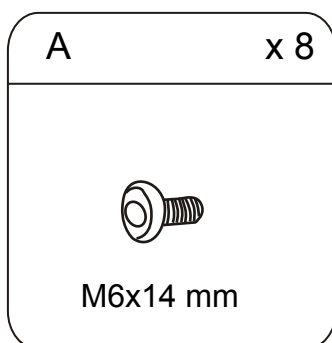
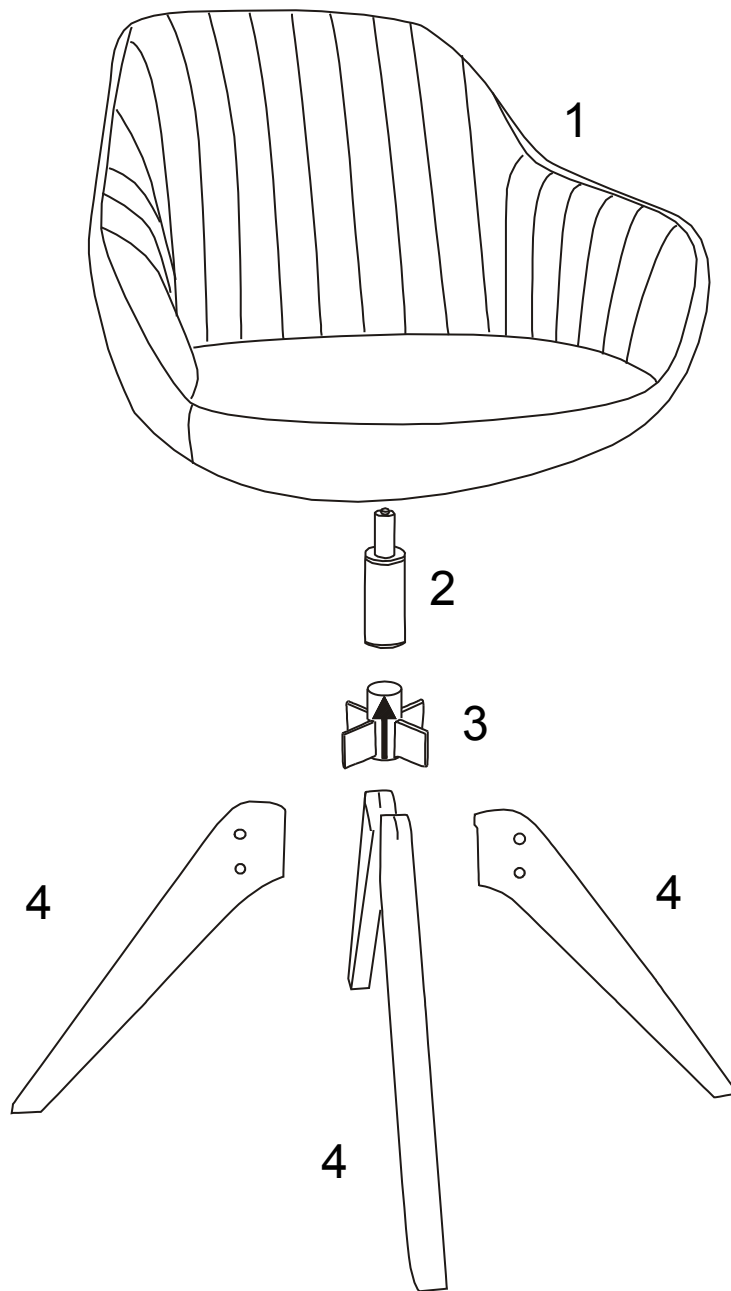
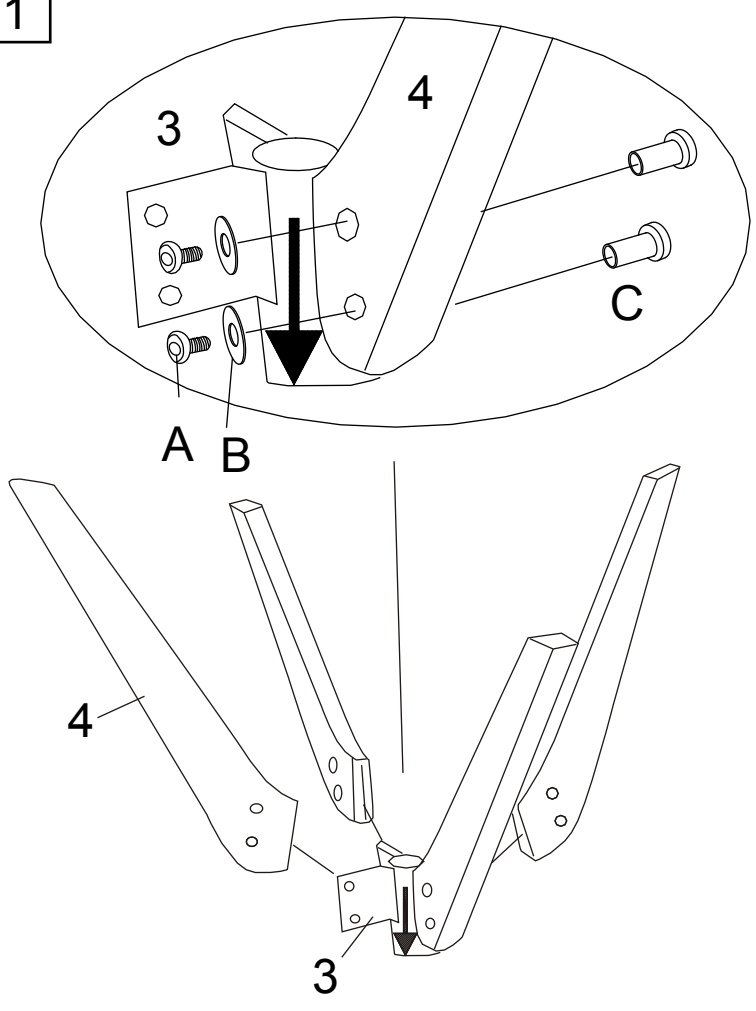


# Assembly Instruction

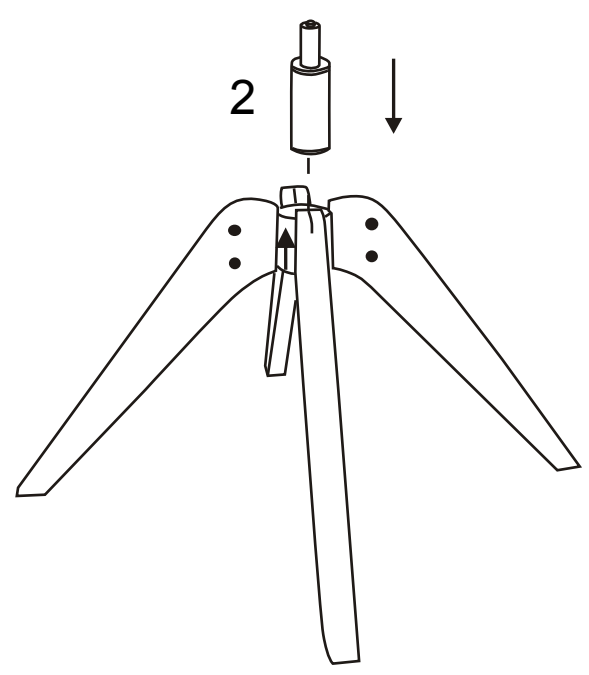




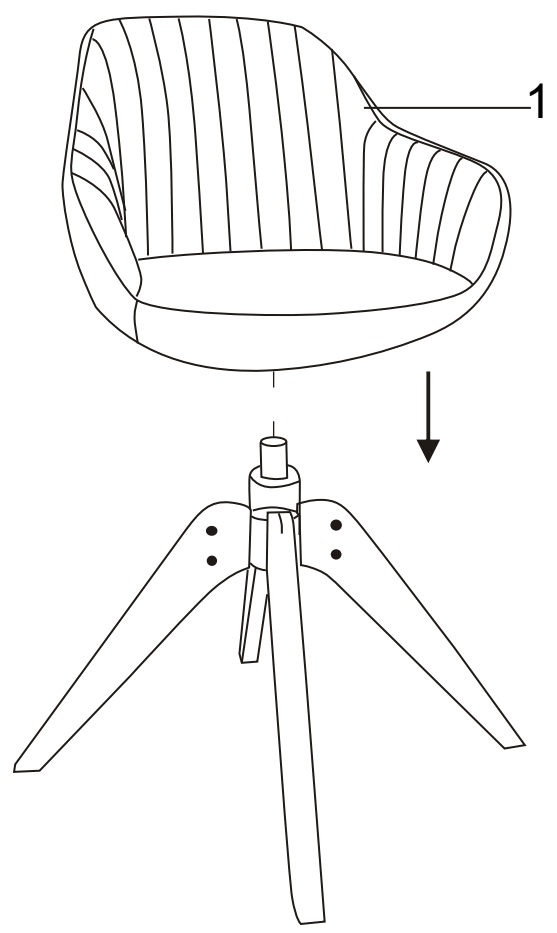
1



2



3



4

