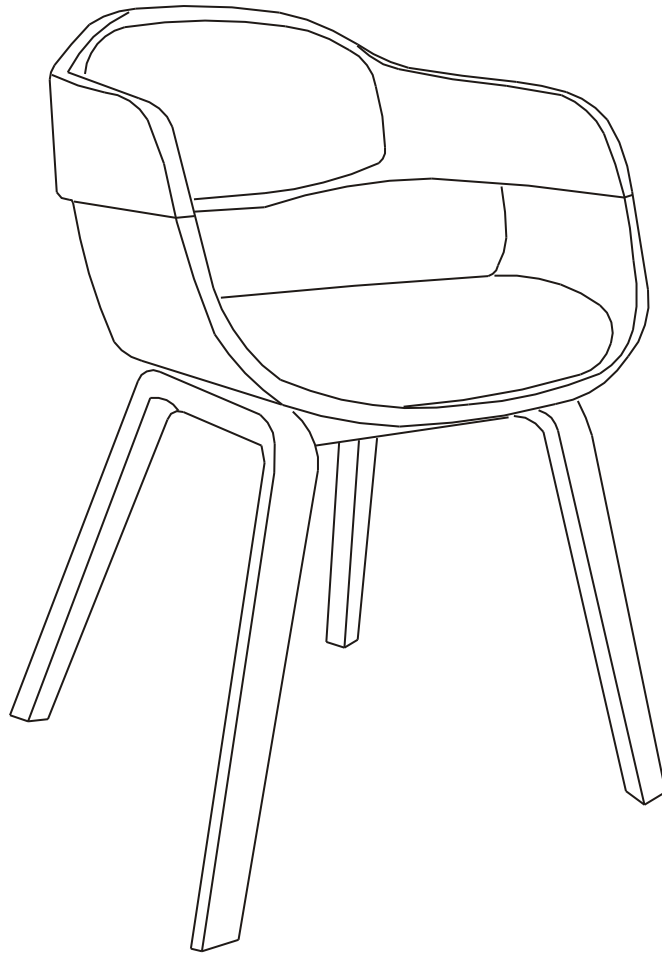
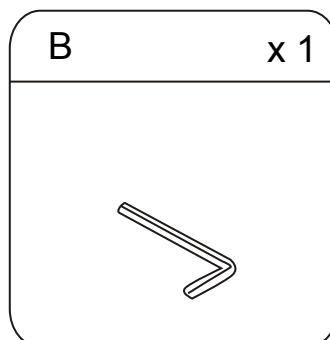
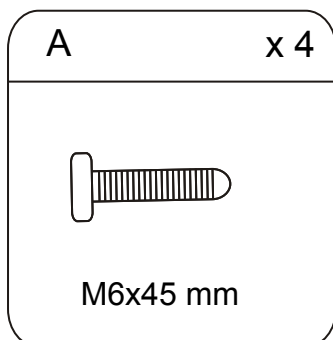
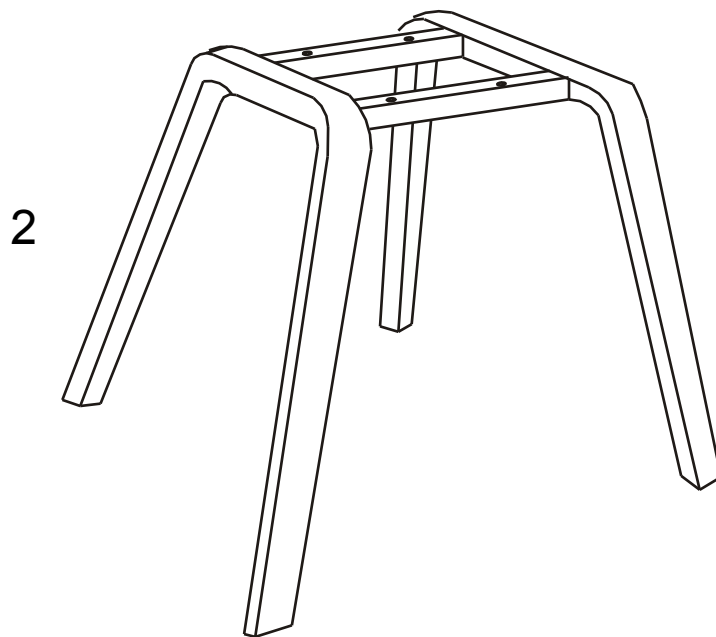
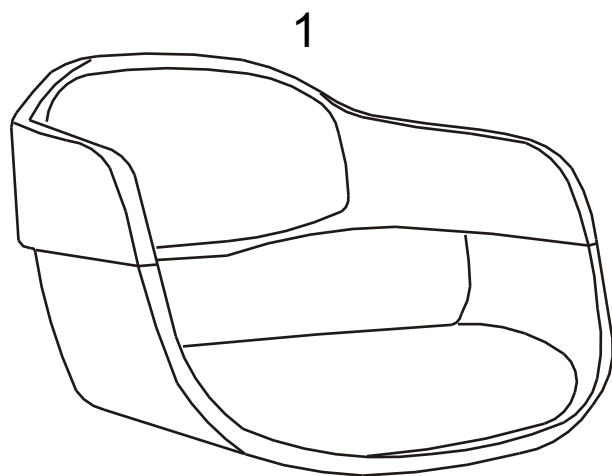
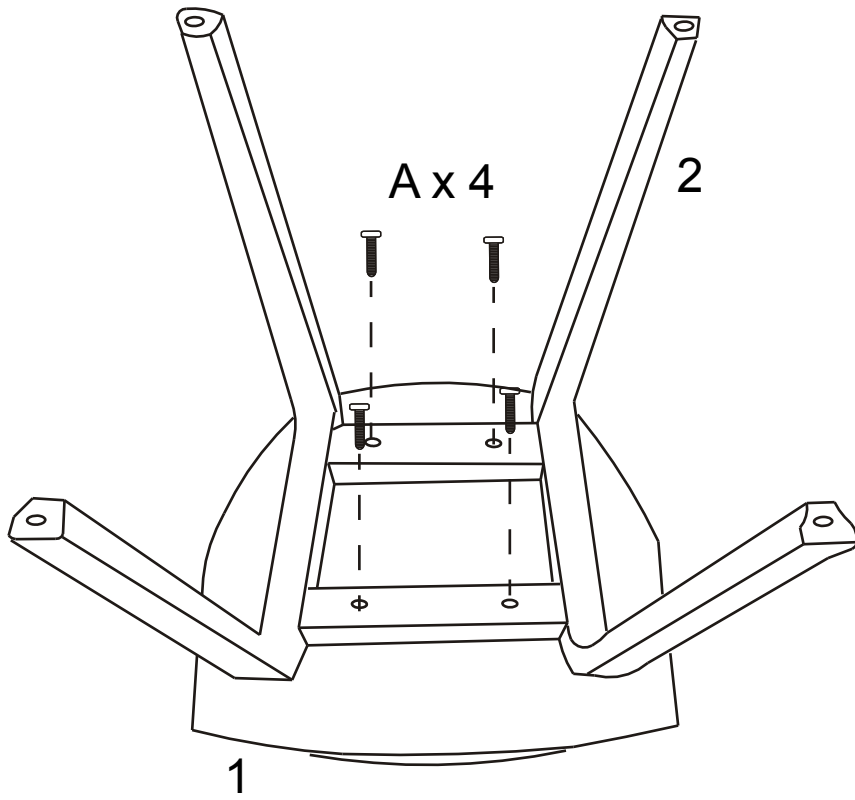


# Assembly Instruction





1



2

