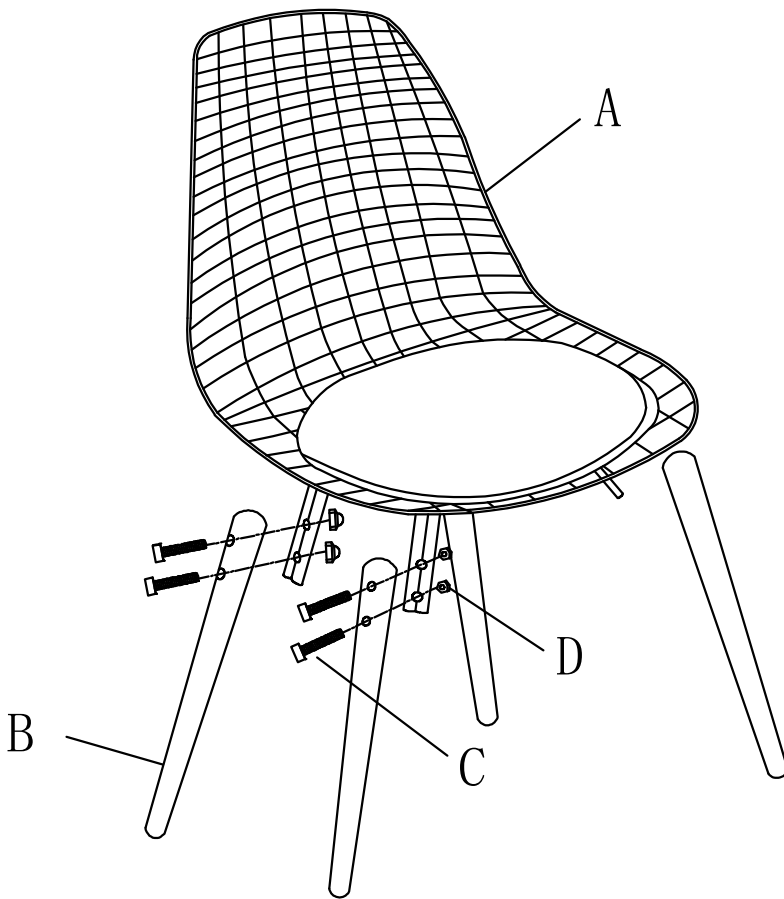
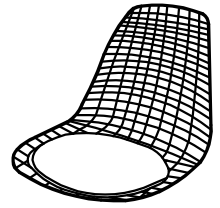


Assembly Instruction

MC-021LB

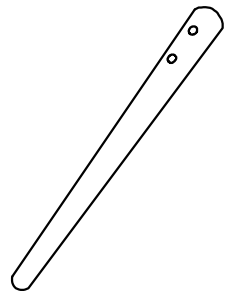


A



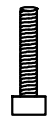
1PC

B



4PCS

C



8PCS

D



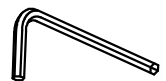
8PCS

E



1PC

F



1PC