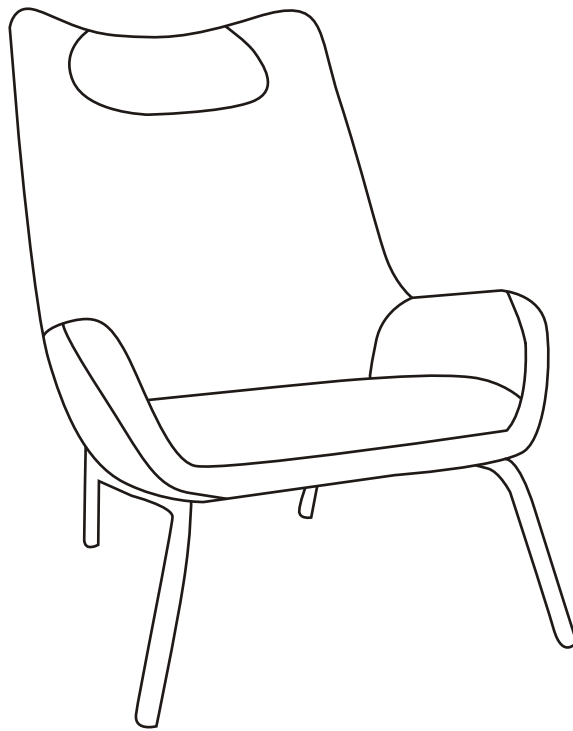






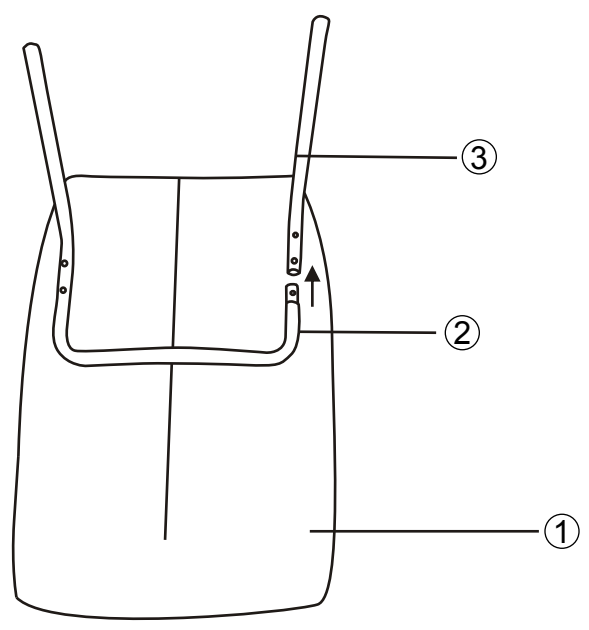


# Assembly Instruction

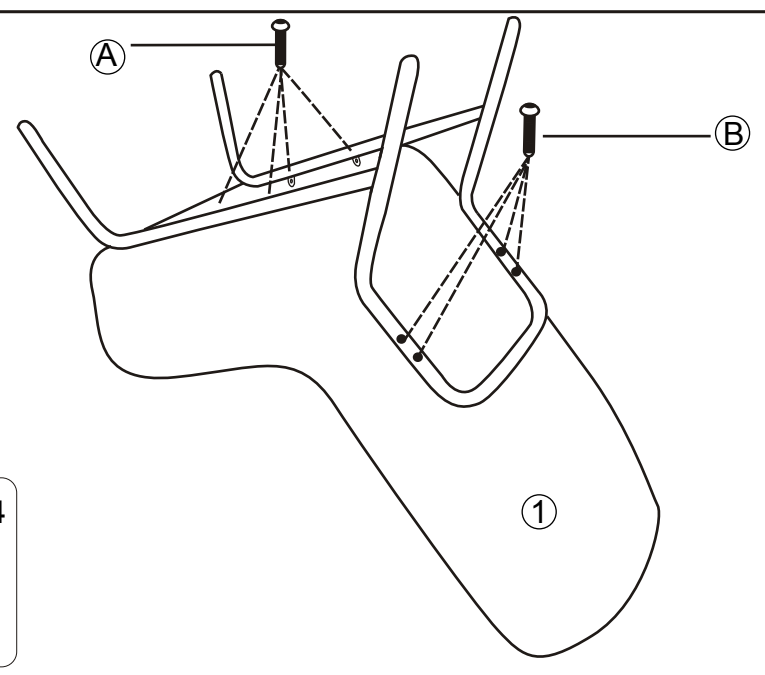


|                                                                                              |                                                                                               |                                                                                              |                                                                                                                   |                                                                                                                     |                                                                                                 |
|----------------------------------------------------------------------------------------------|-----------------------------------------------------------------------------------------------|----------------------------------------------------------------------------------------------|-------------------------------------------------------------------------------------------------------------------|---------------------------------------------------------------------------------------------------------------------|-------------------------------------------------------------------------------------------------|
| <p>① x1</p>  | <p>② x1</p>  | <p>③ x1</p>  | <p>Ⓐ x4</p> <p><b>M6*18</b></p>  | <p>Ⓑ x4</p> <p><b>M6*45</b></p>  | <p>Ⓒ x1</p>  |
|----------------------------------------------------------------------------------------------|-----------------------------------------------------------------------------------------------|----------------------------------------------------------------------------------------------|-------------------------------------------------------------------------------------------------------------------|---------------------------------------------------------------------------------------------------------------------|-------------------------------------------------------------------------------------------------|

**1**




**2**




Ⓐ x4

**M6\*18**



Ⓑ x4

**M6\*45**



**3**

